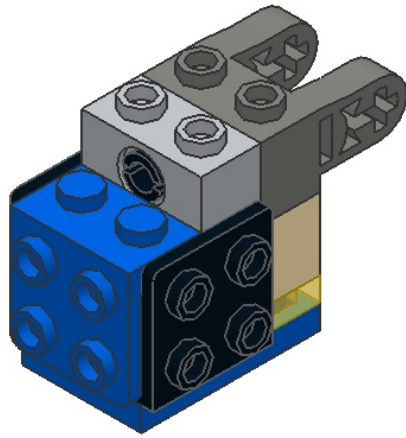
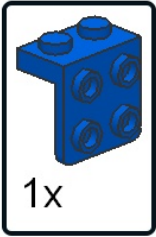
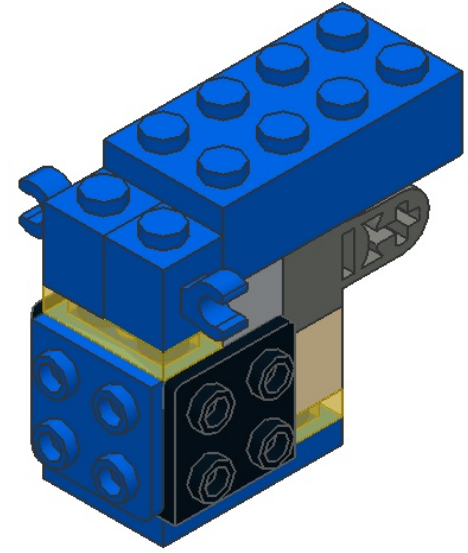
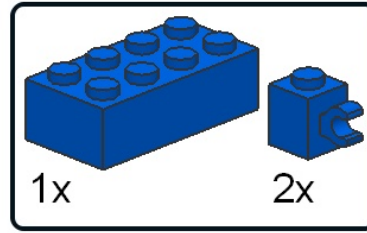


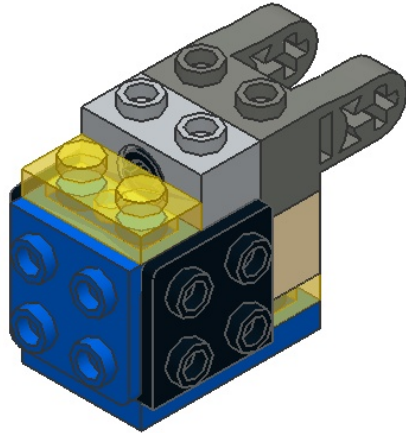
5



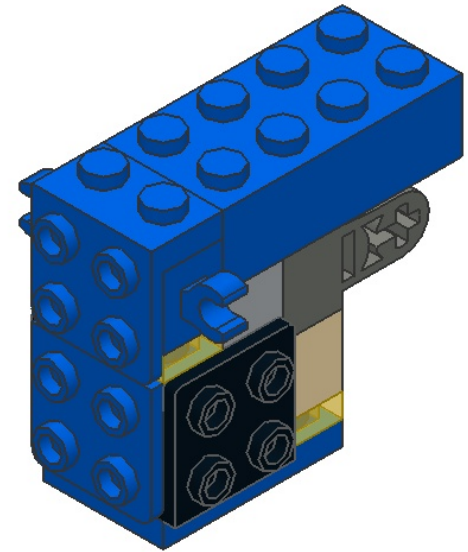
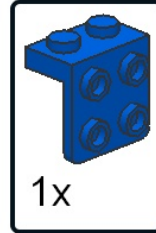
7



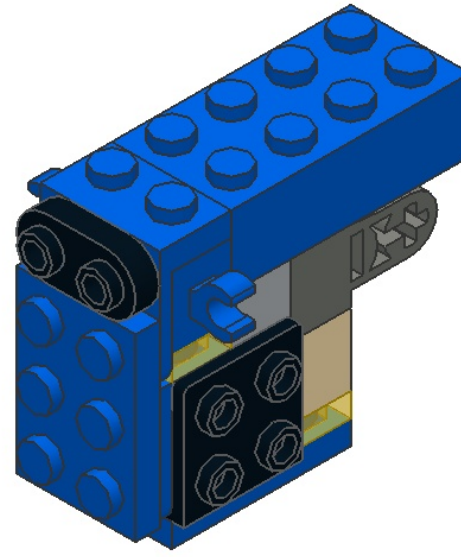
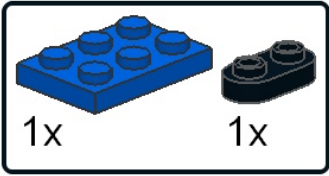
6



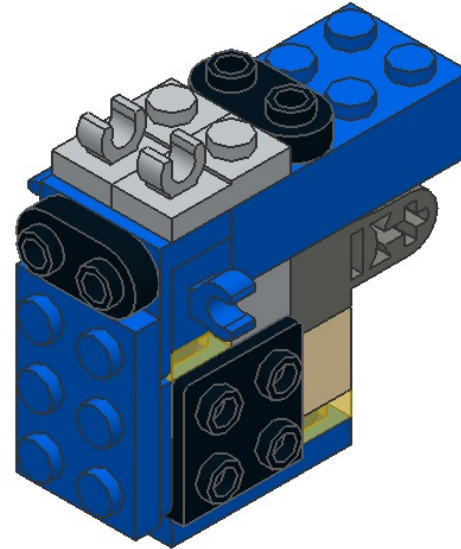
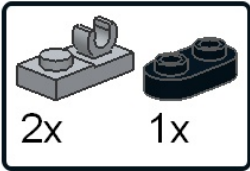
8



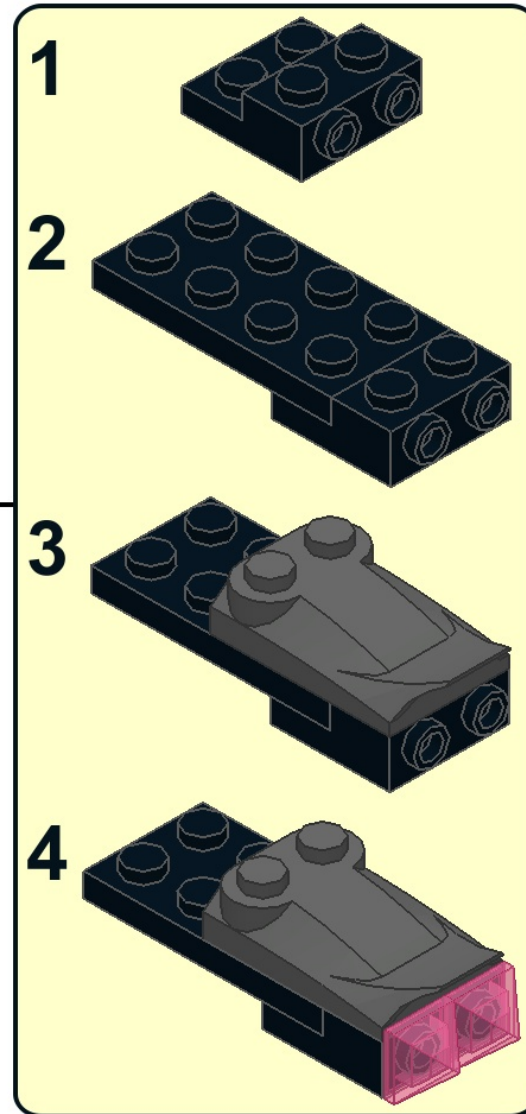
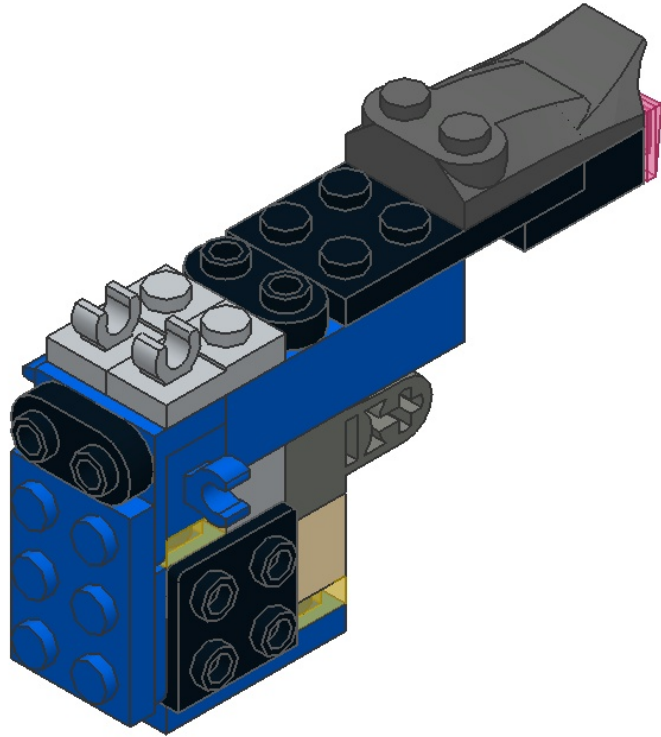
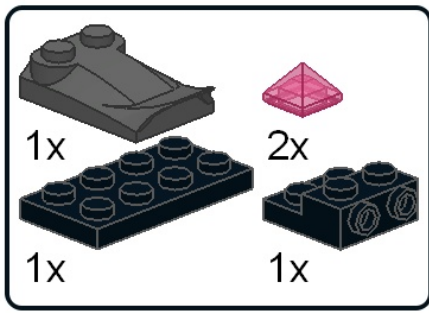
9



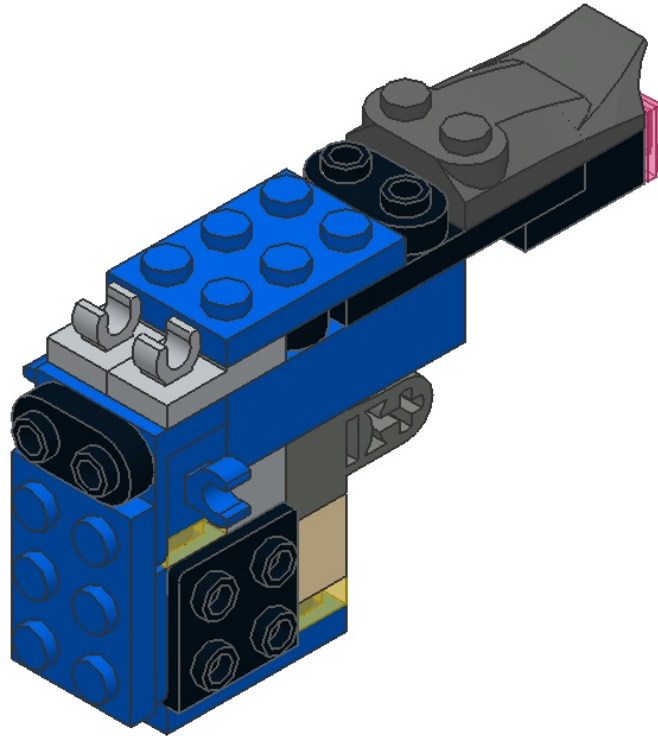
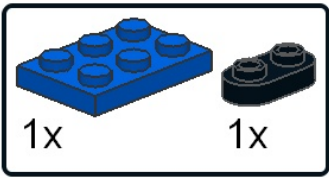
10



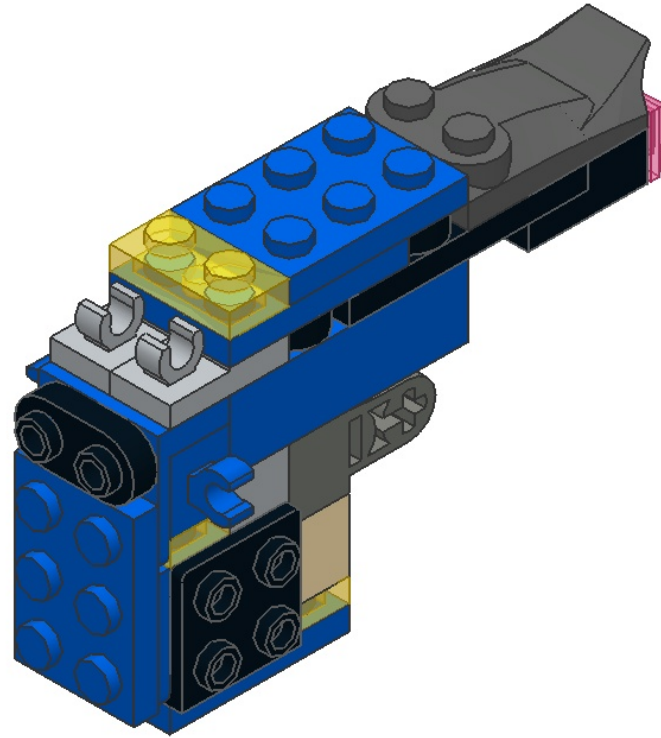
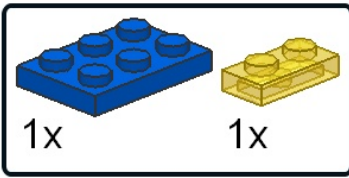
11



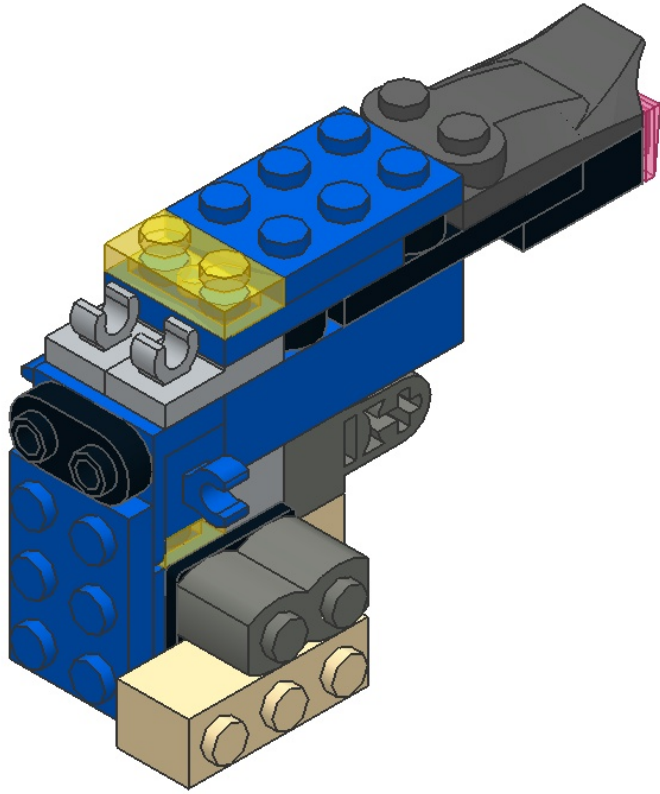
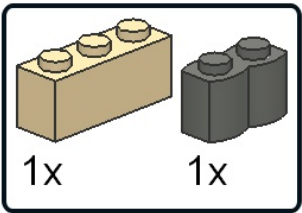
12



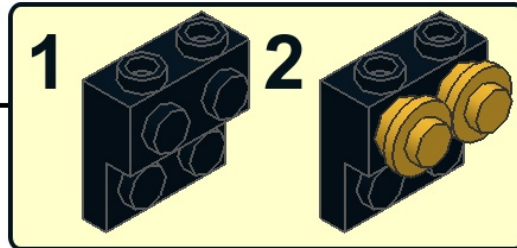
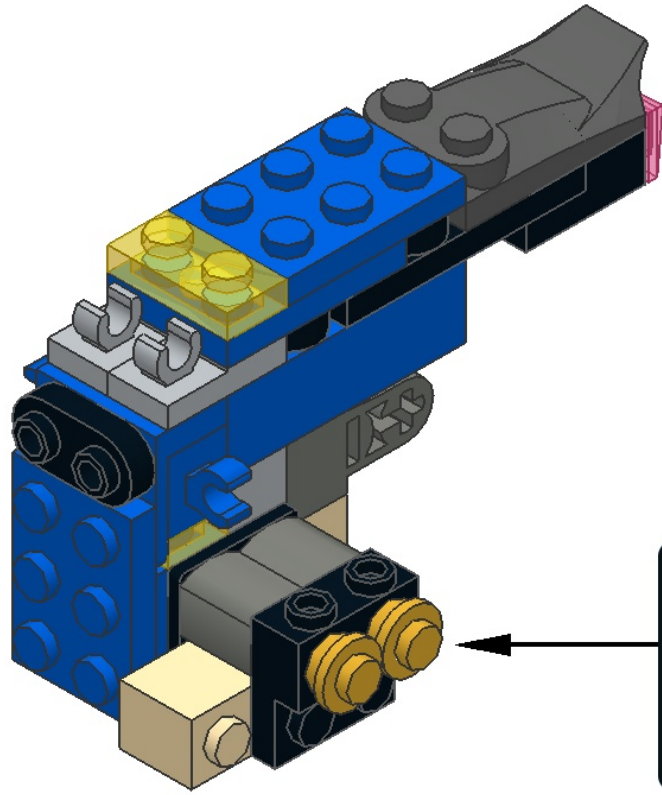
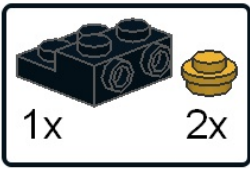
13



14

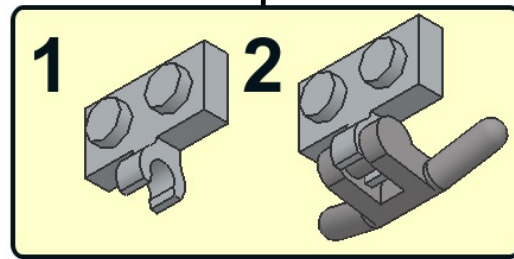
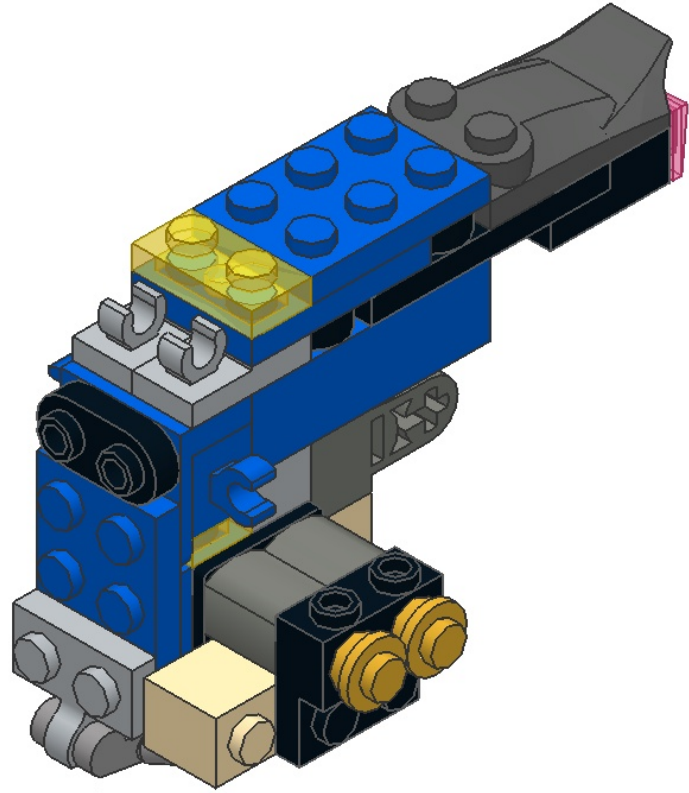
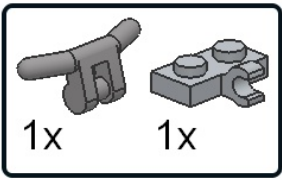


15

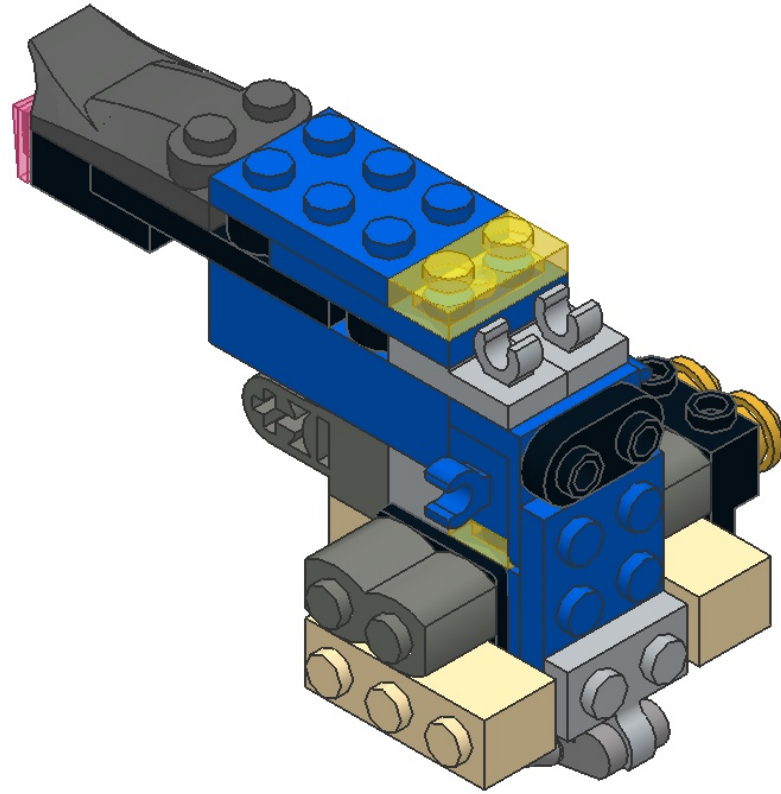
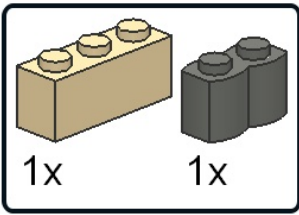




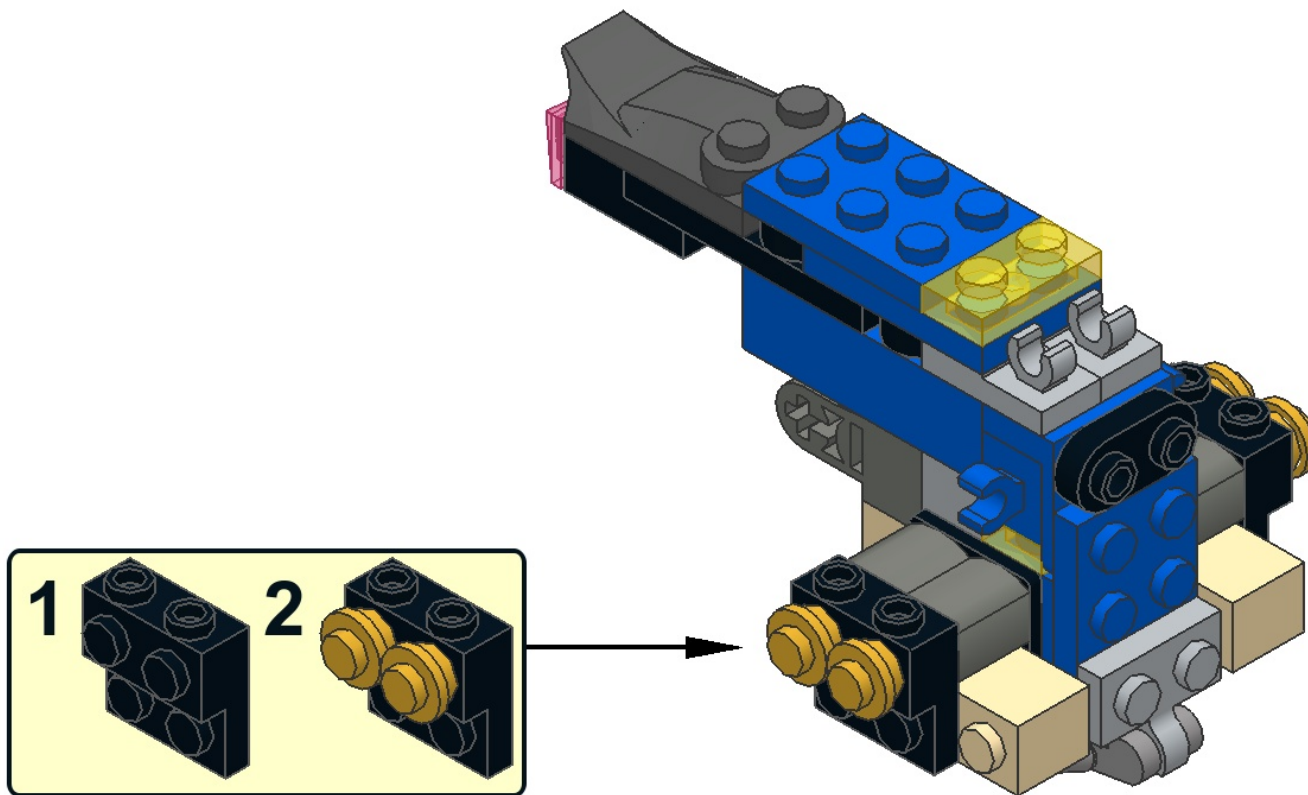
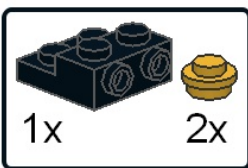
# 16



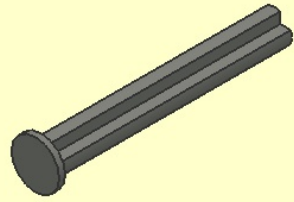
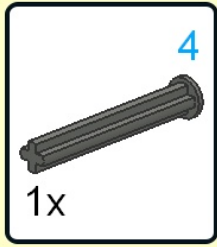
17



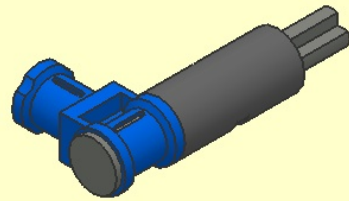
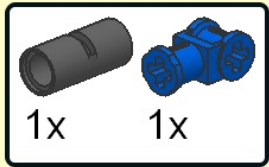
18



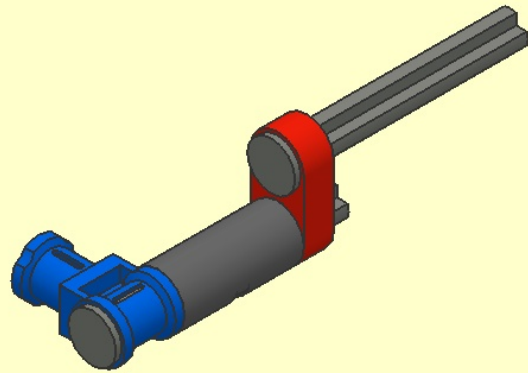
1



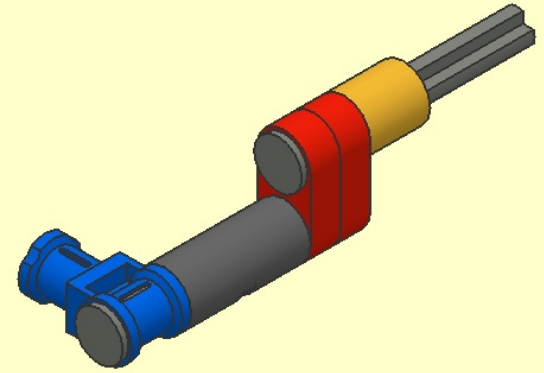
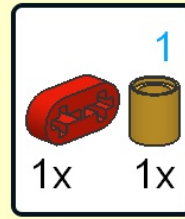
2



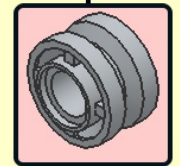
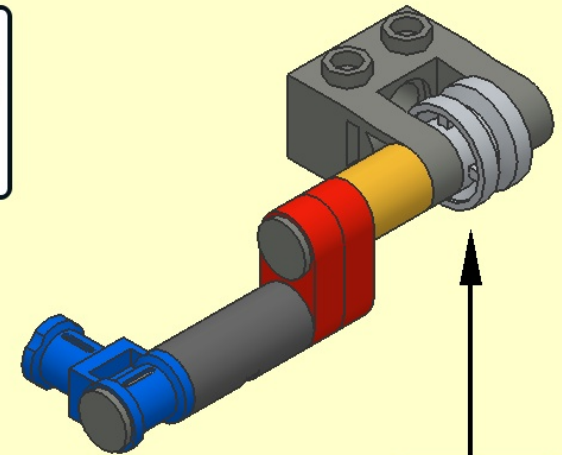
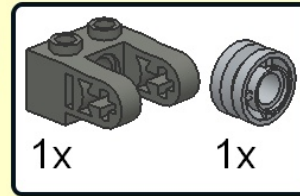
3



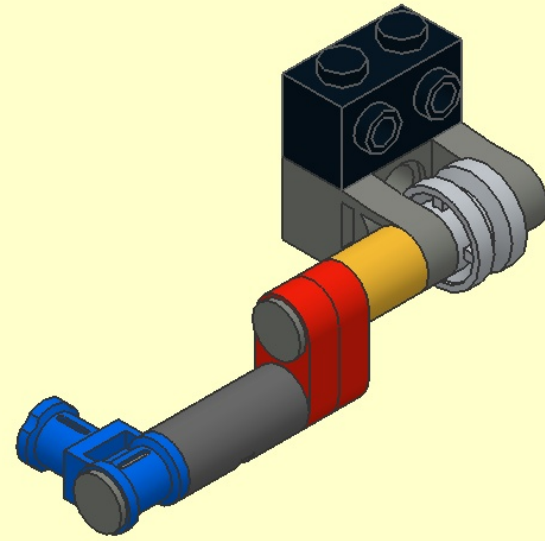
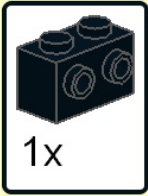
4



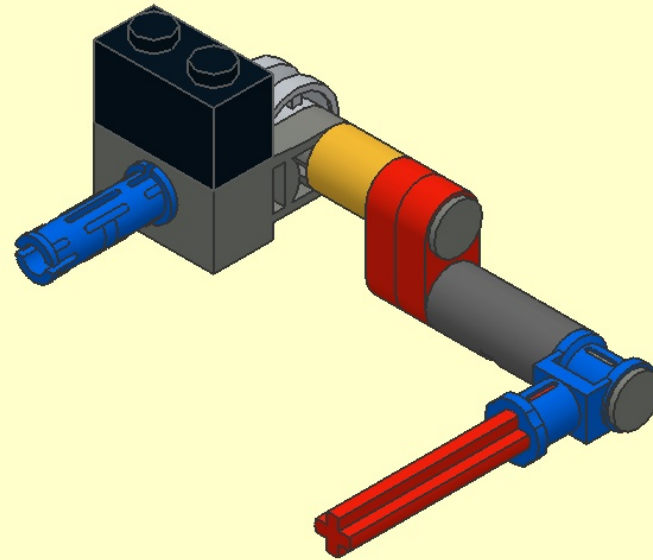
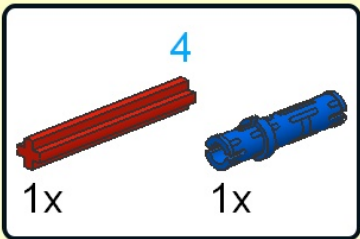
5



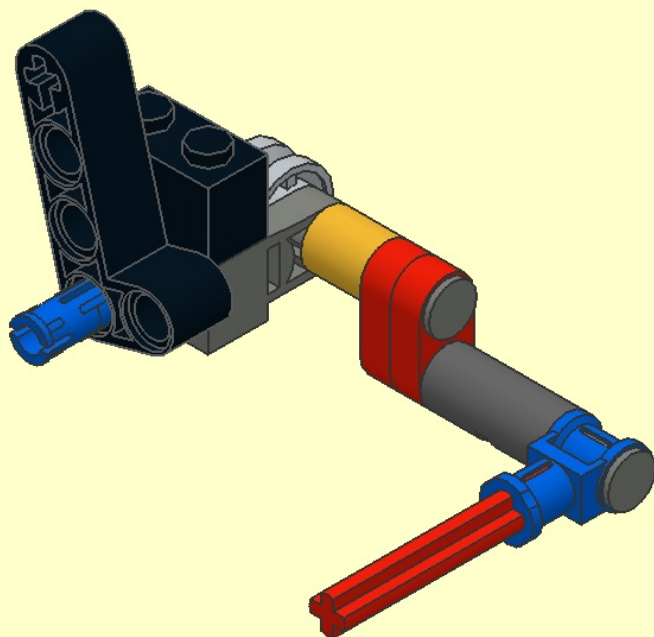
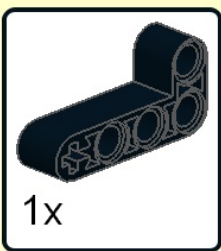
6



7



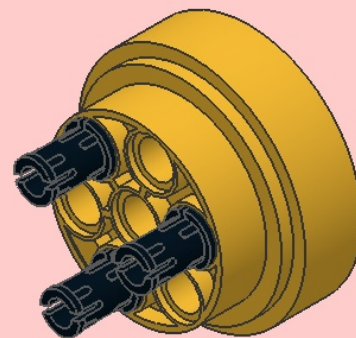
8



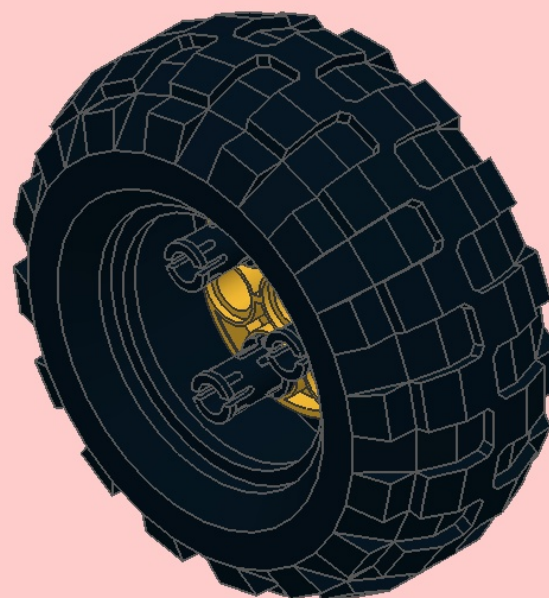
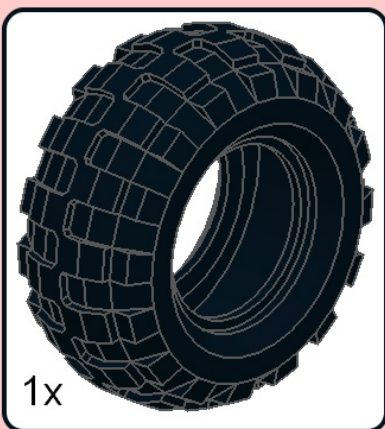
1



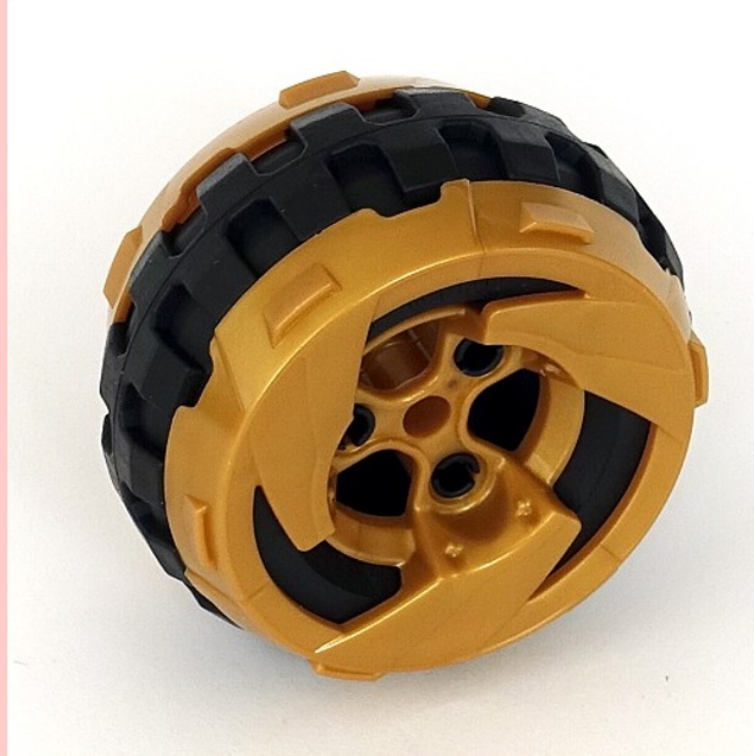
=



2

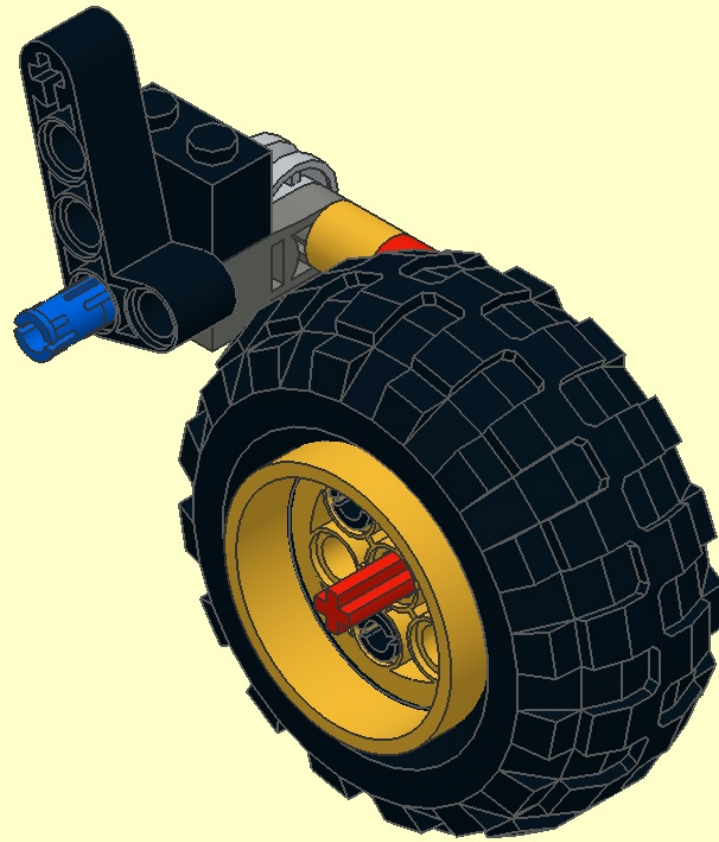


3

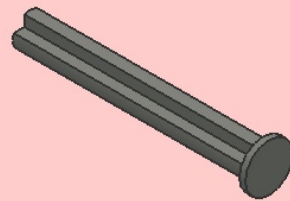
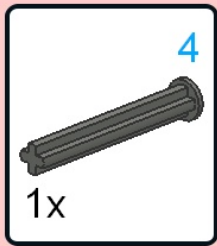




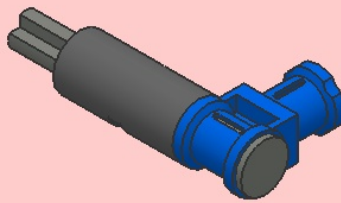
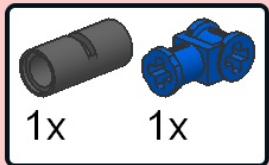
9



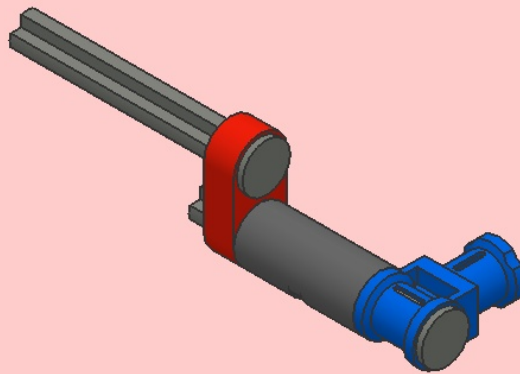
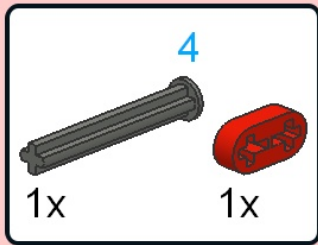
1



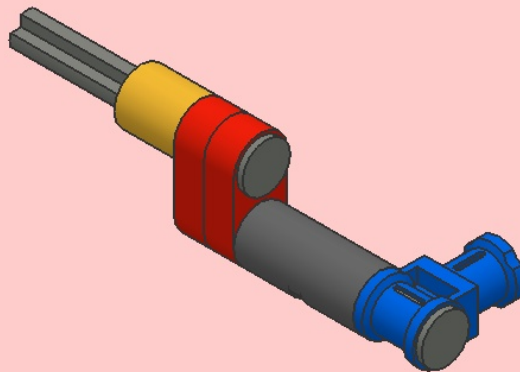
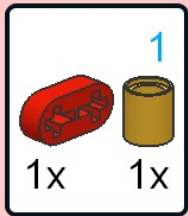
2



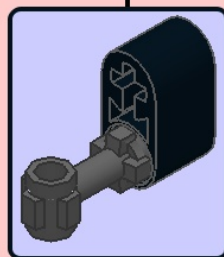
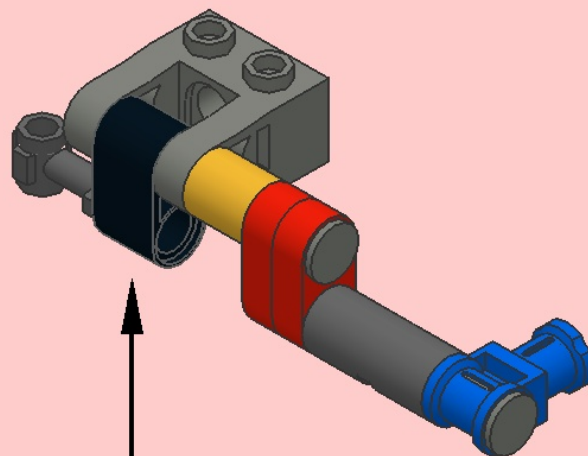
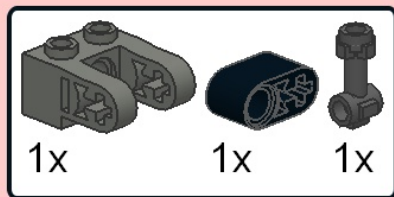
3



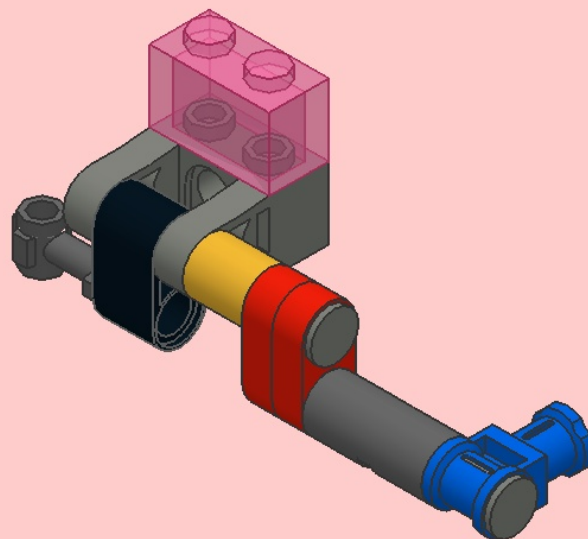
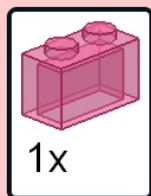
4



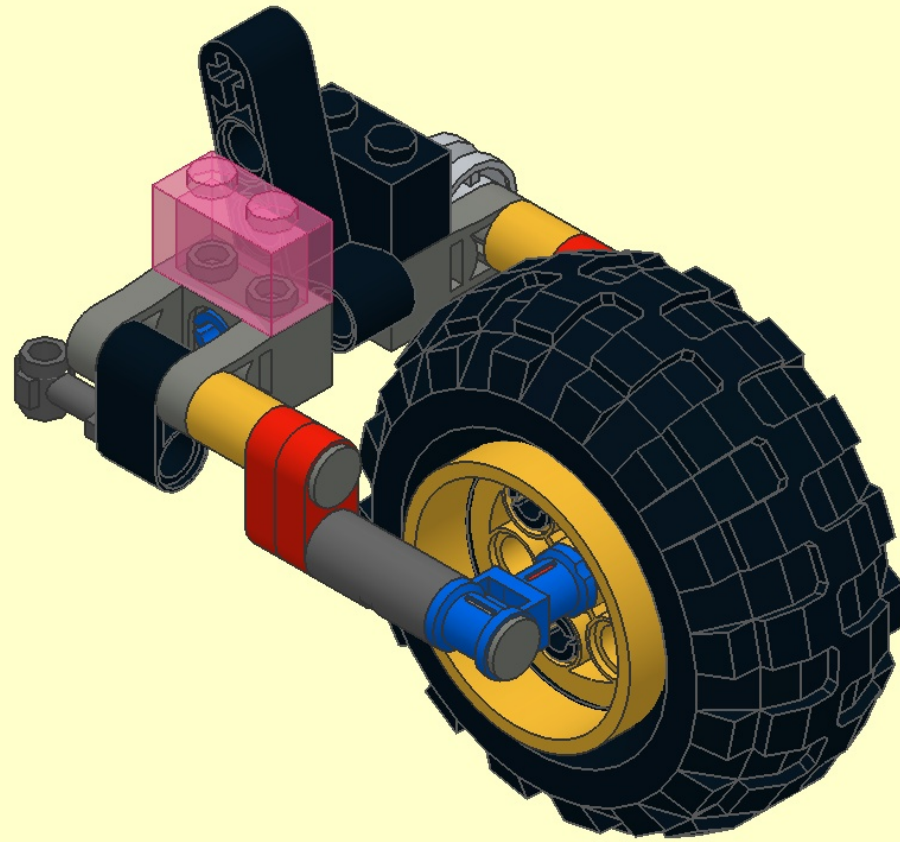
5



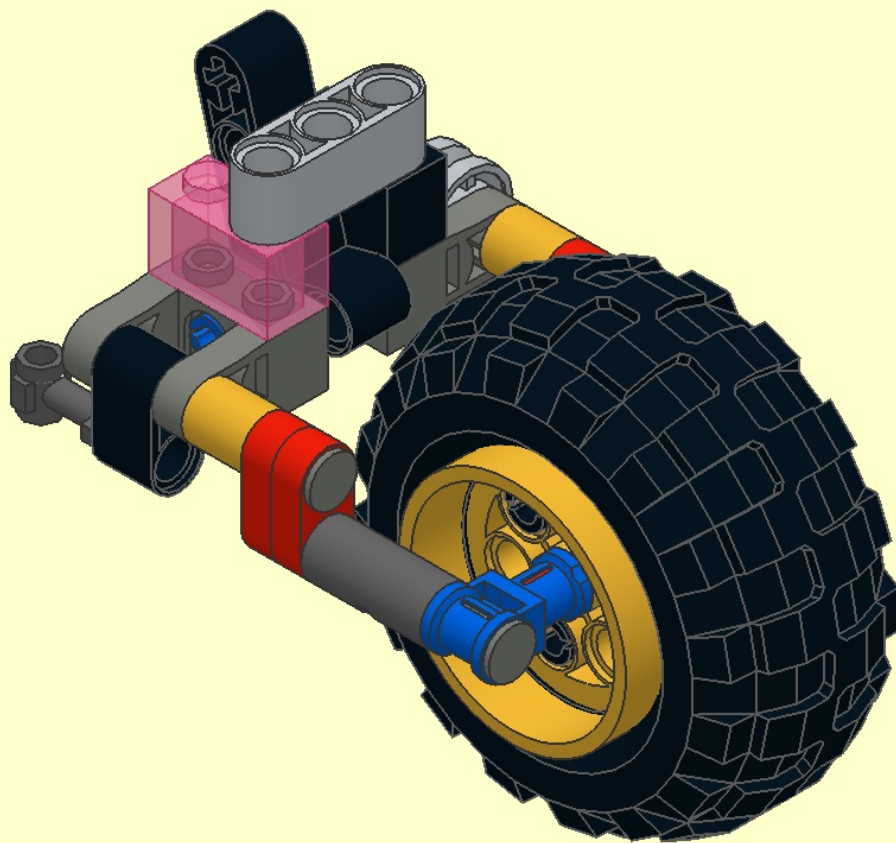
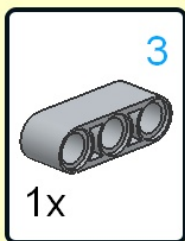
6



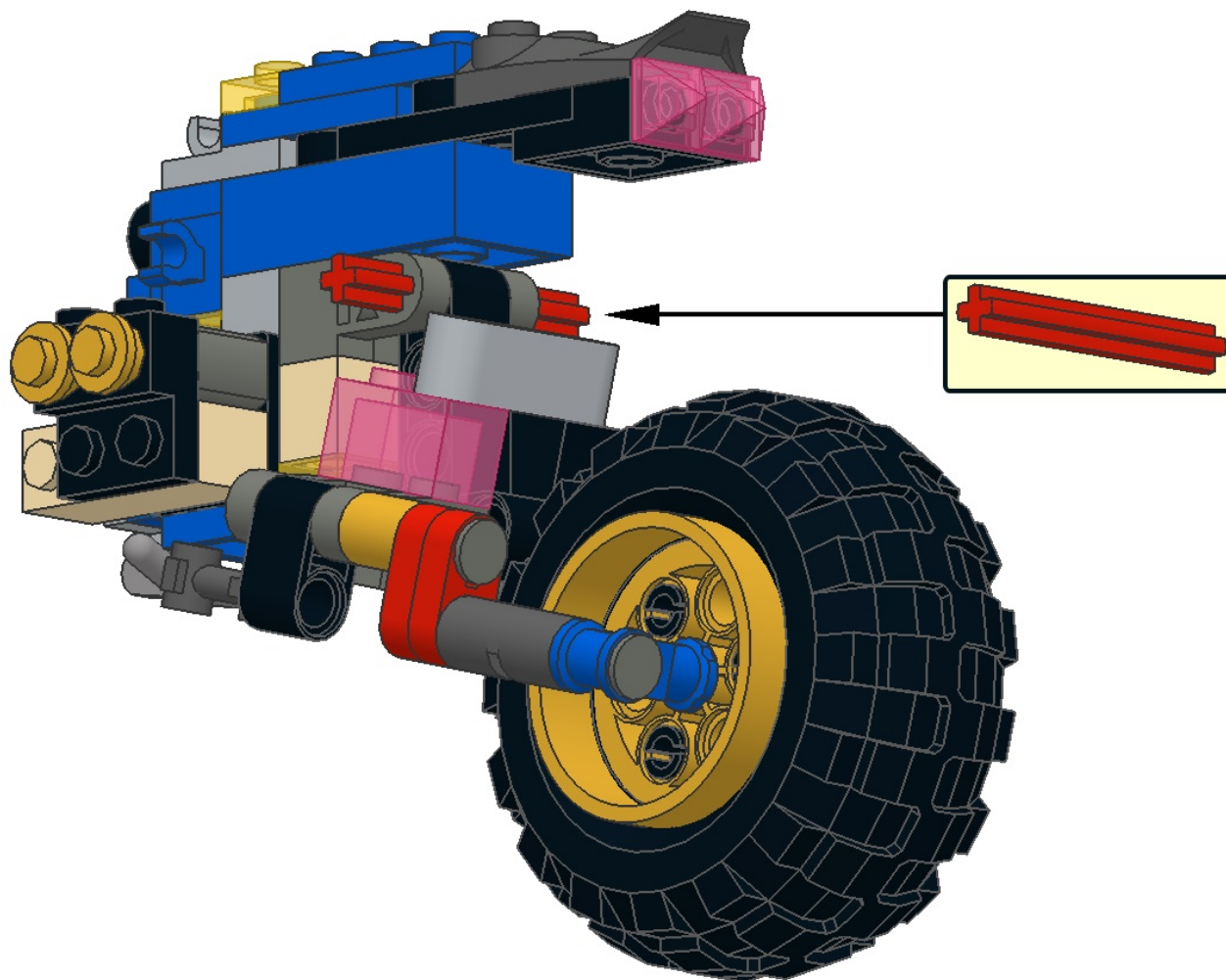
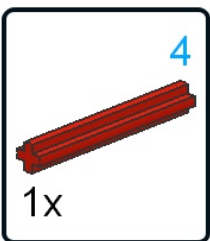
10



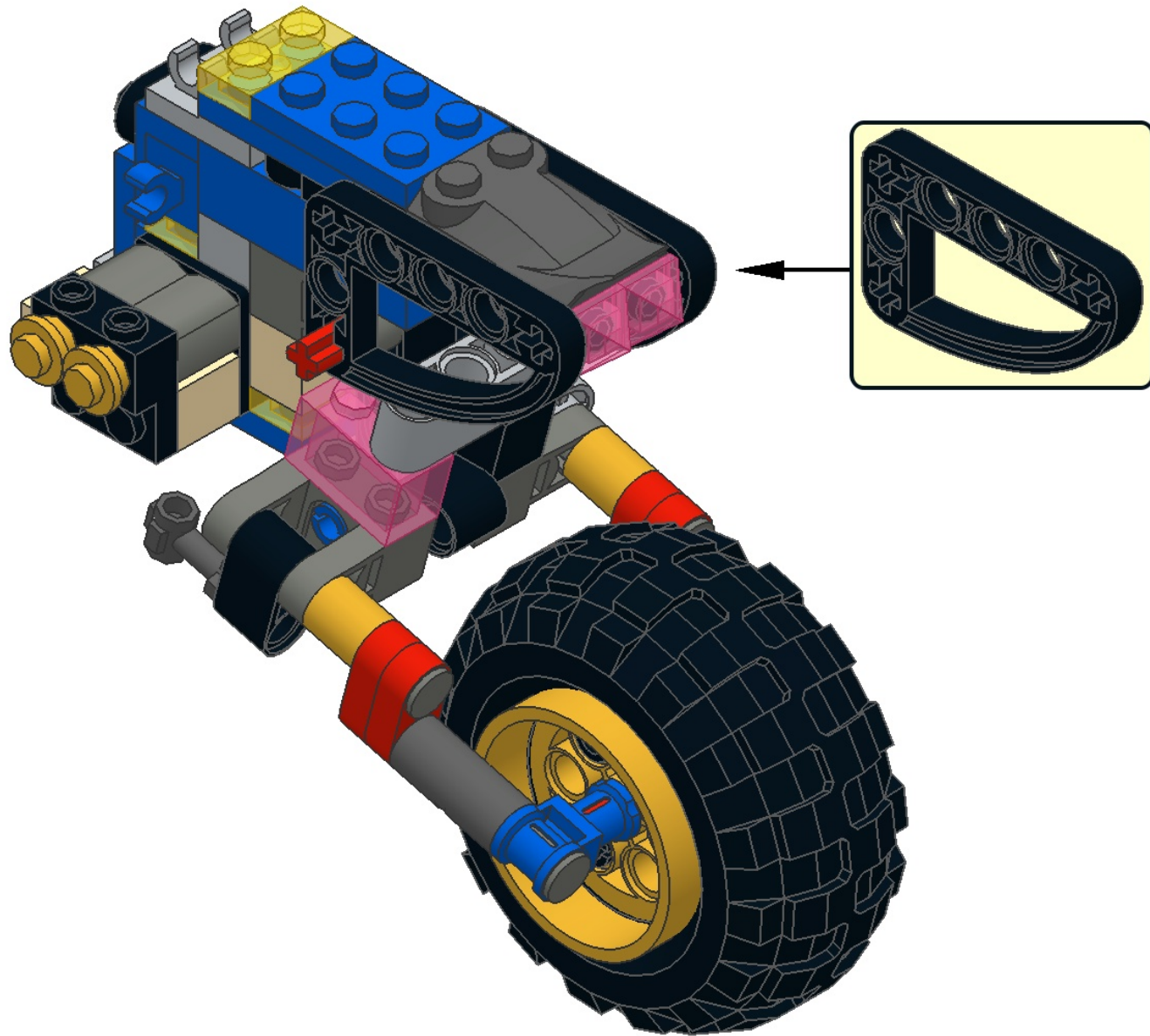
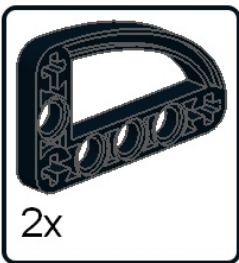
11



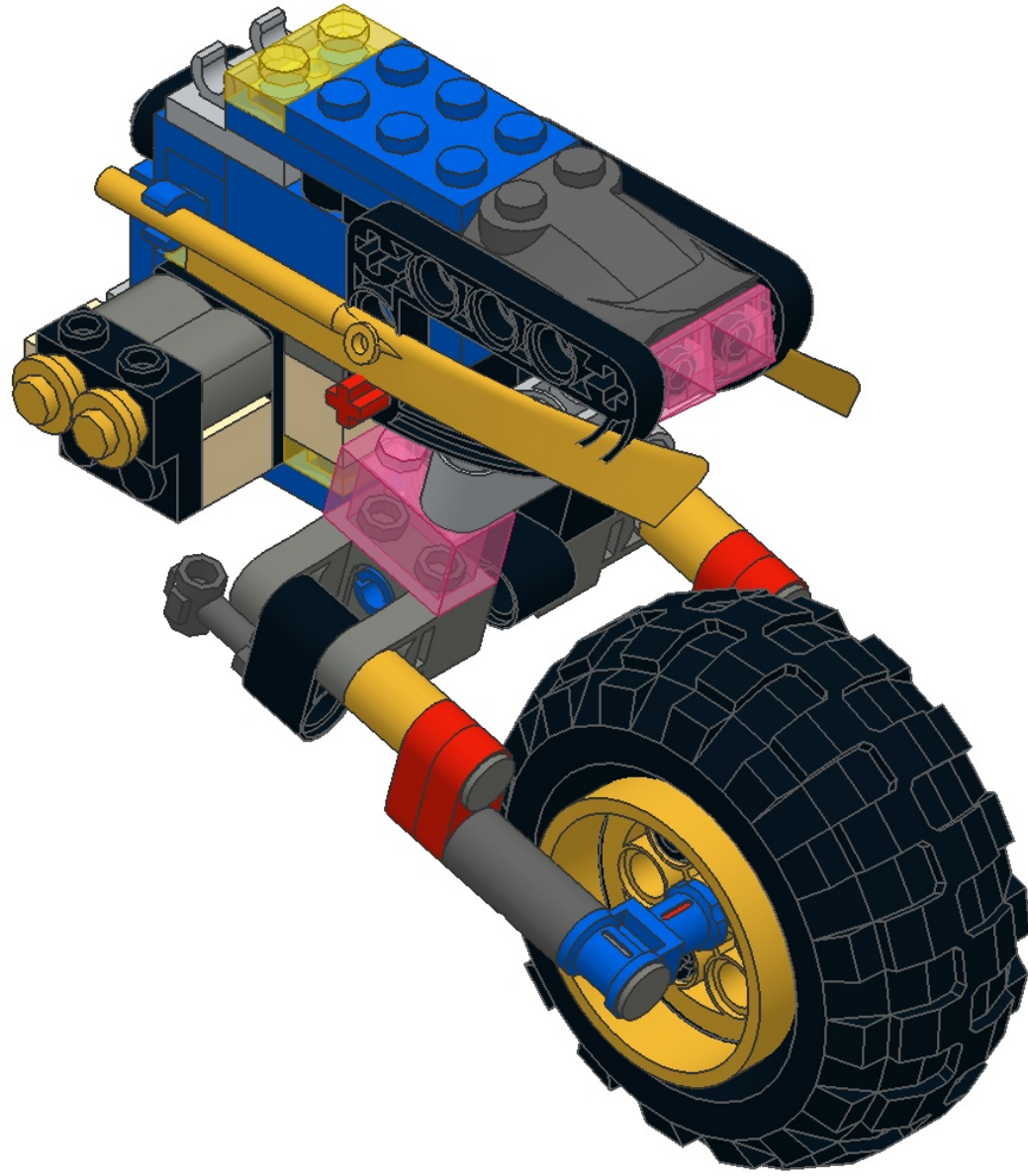
19



20

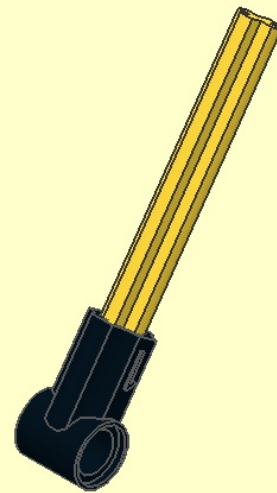
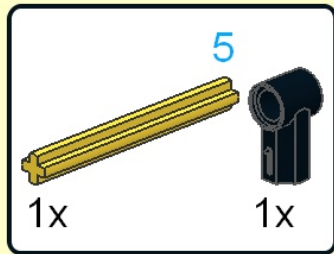


21

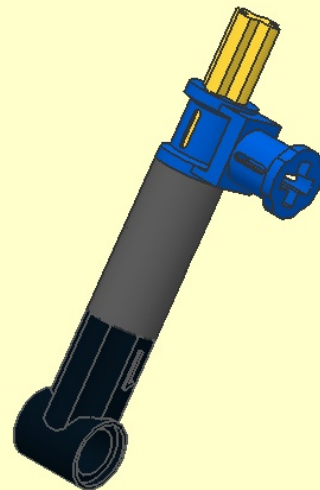
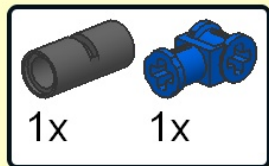




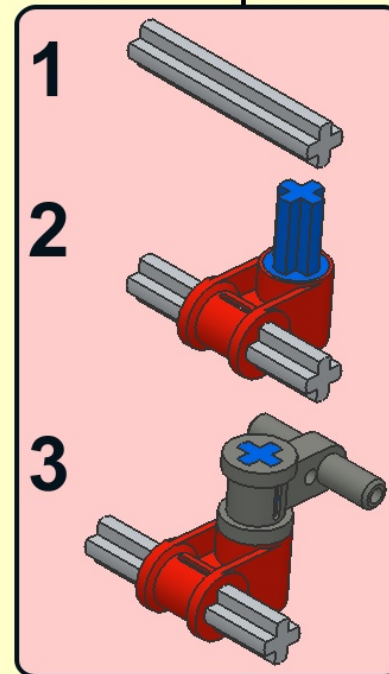
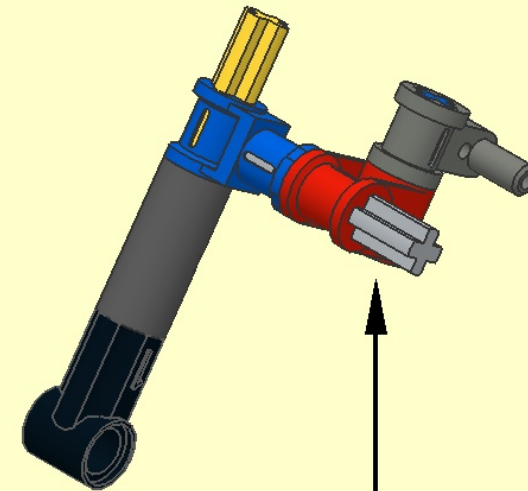
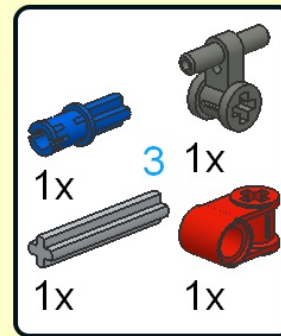
1



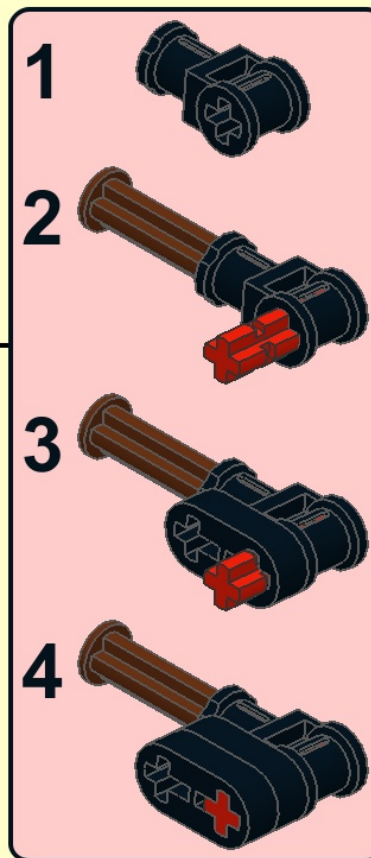
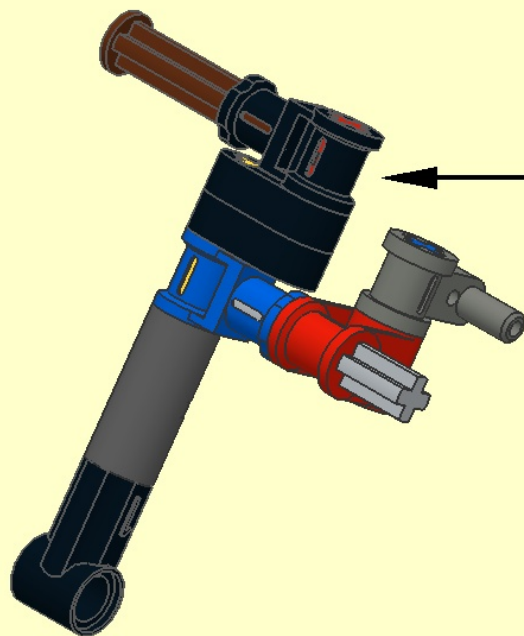
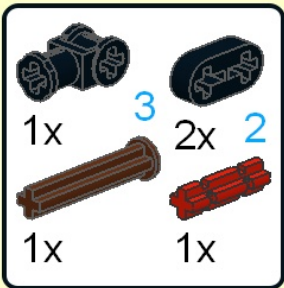
2



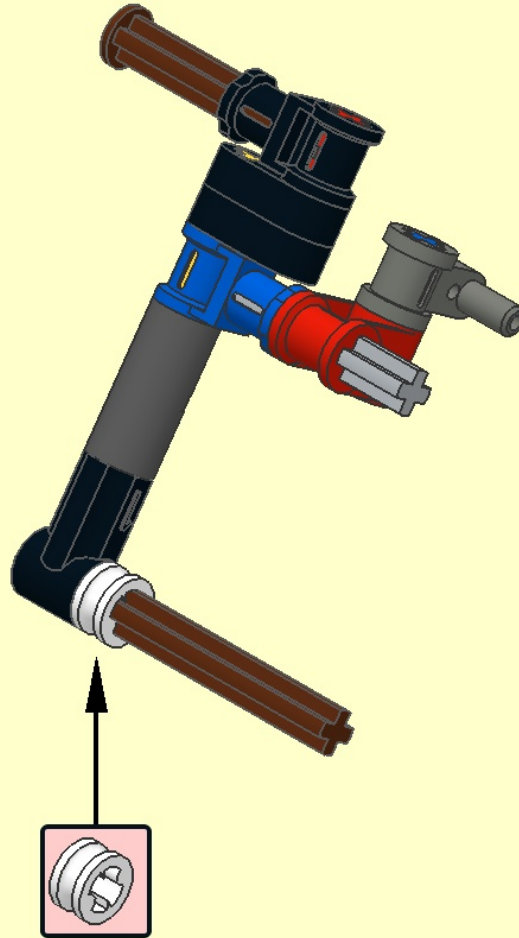
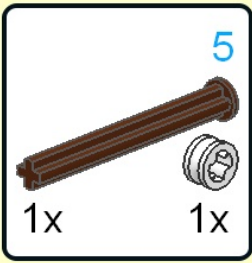
3



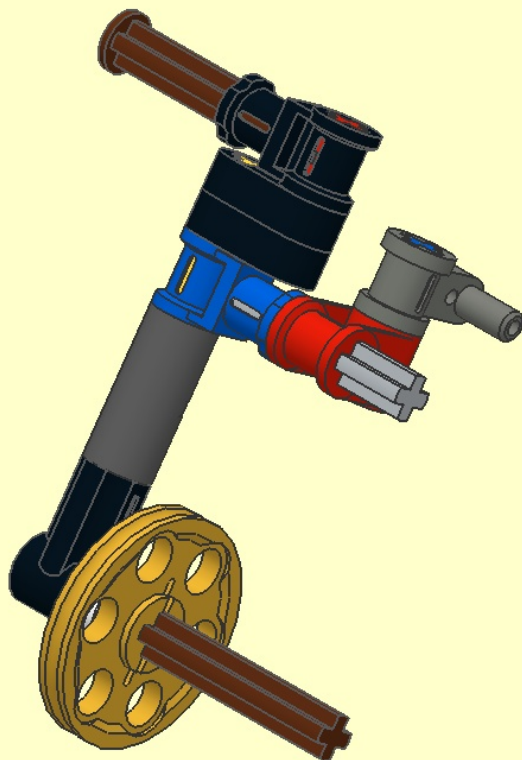
4



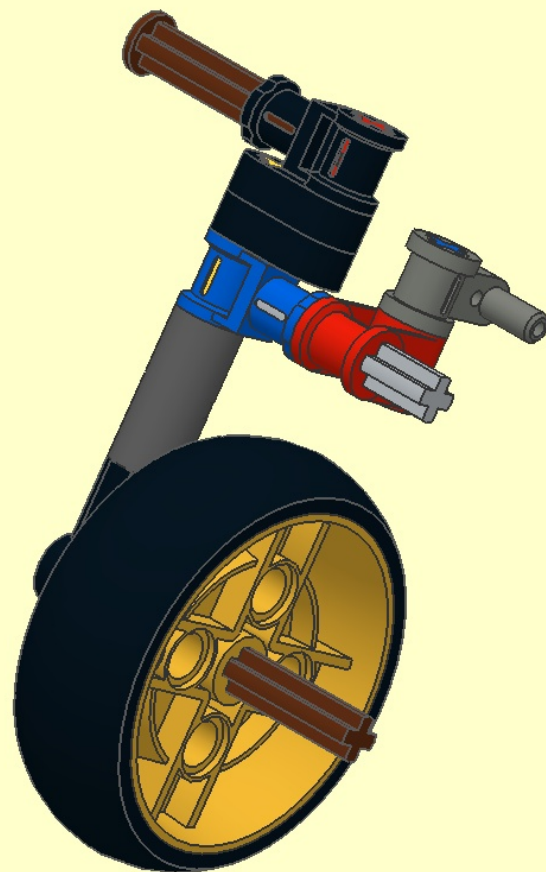
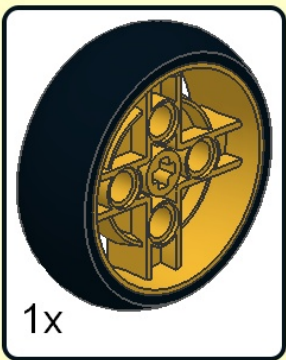
5



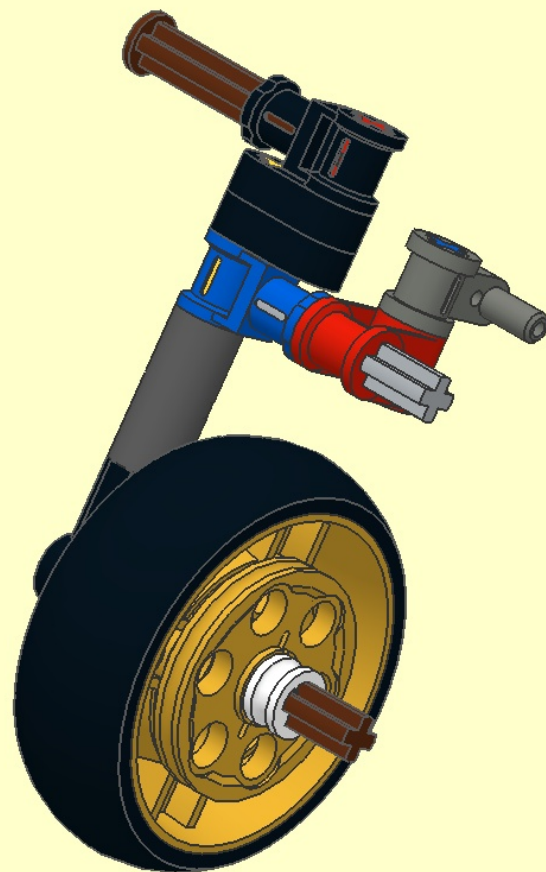
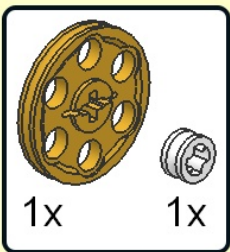
6



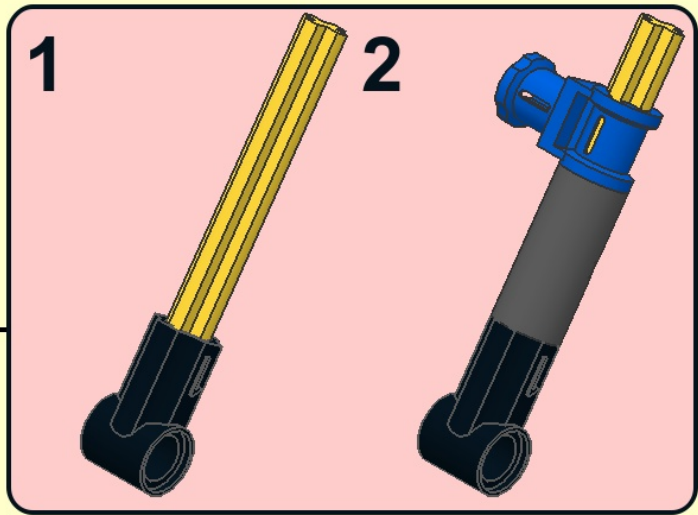
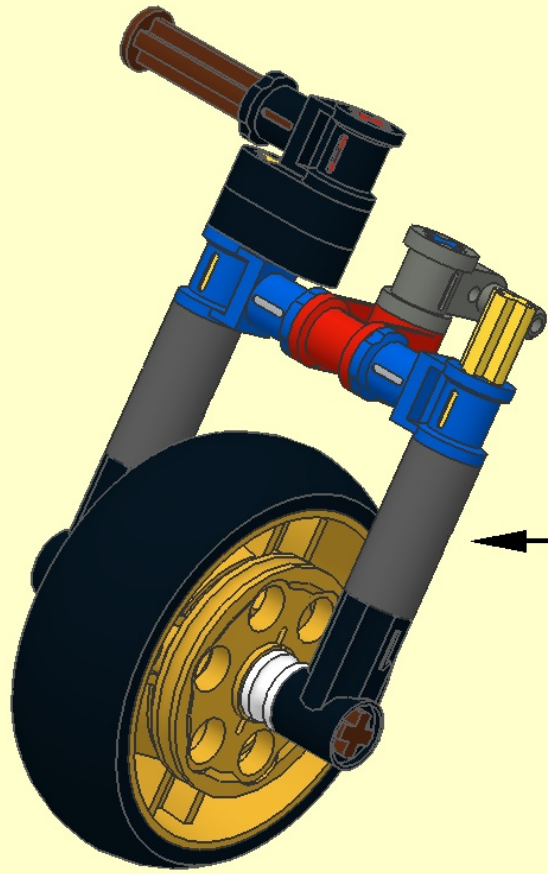
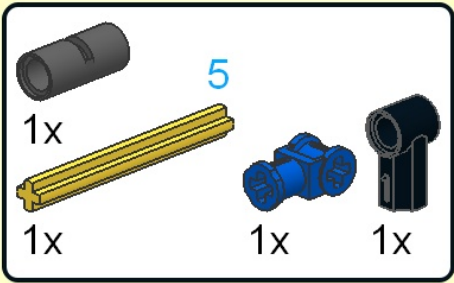
7



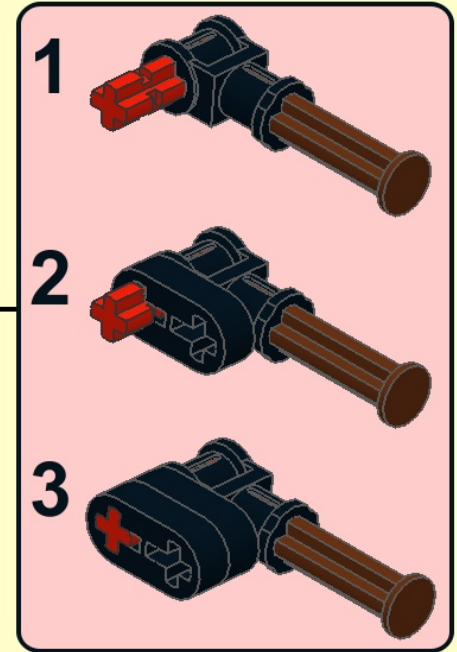
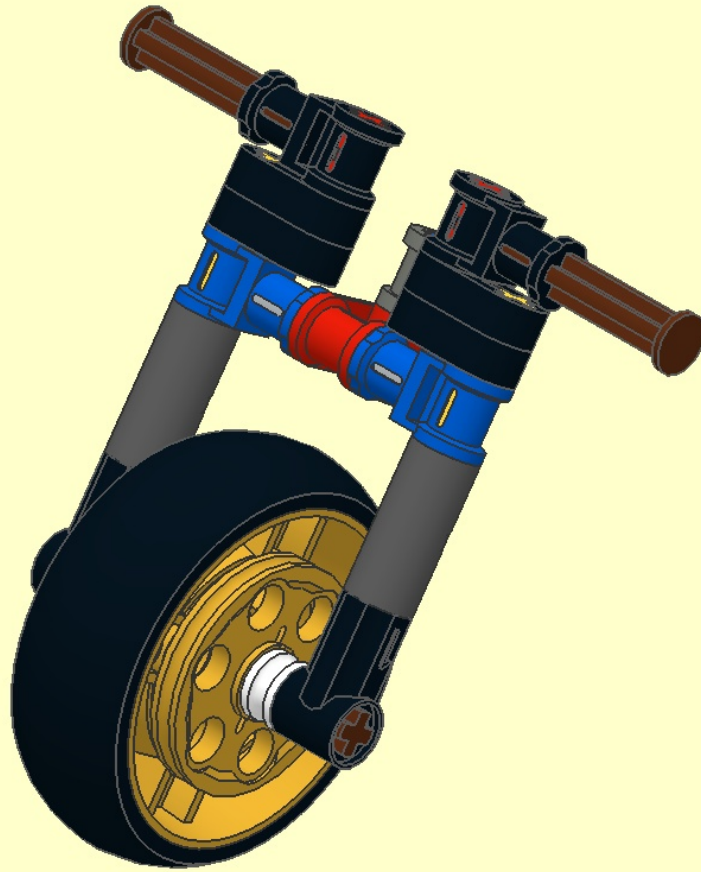
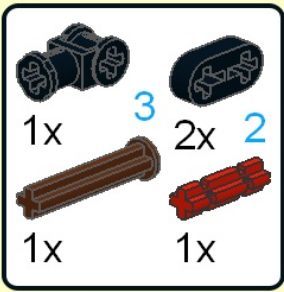
8



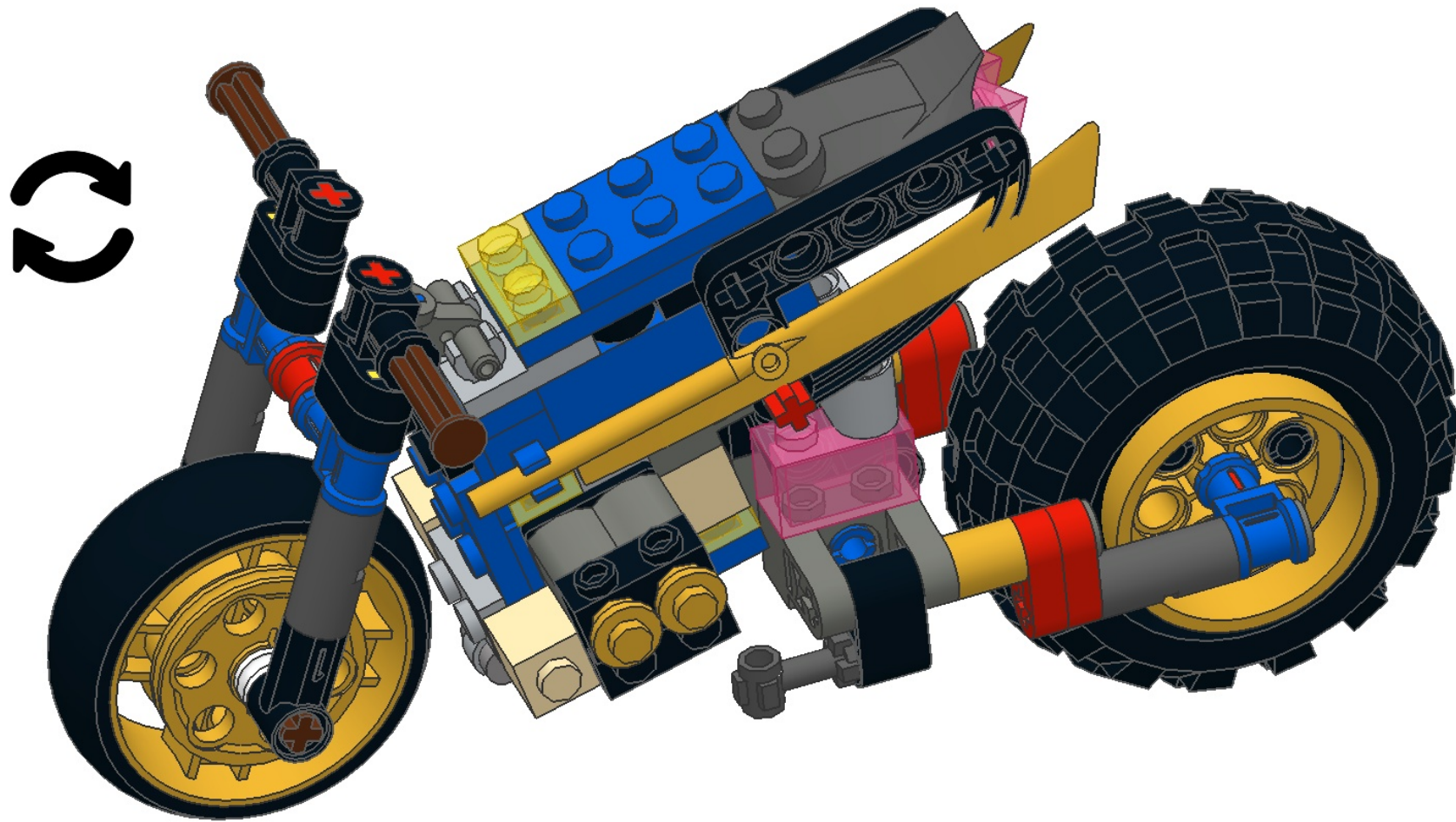
9



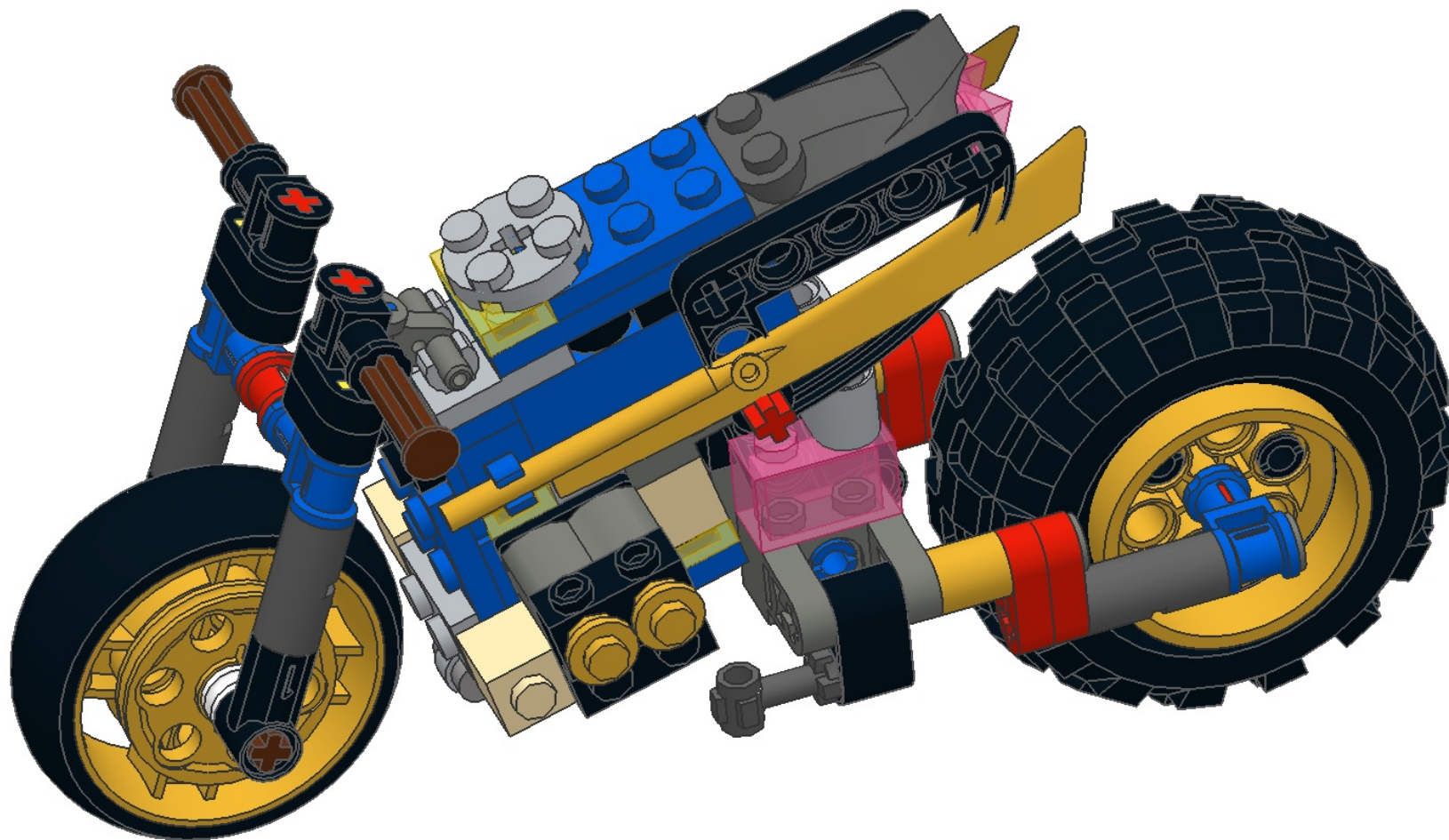
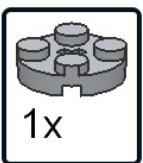
10



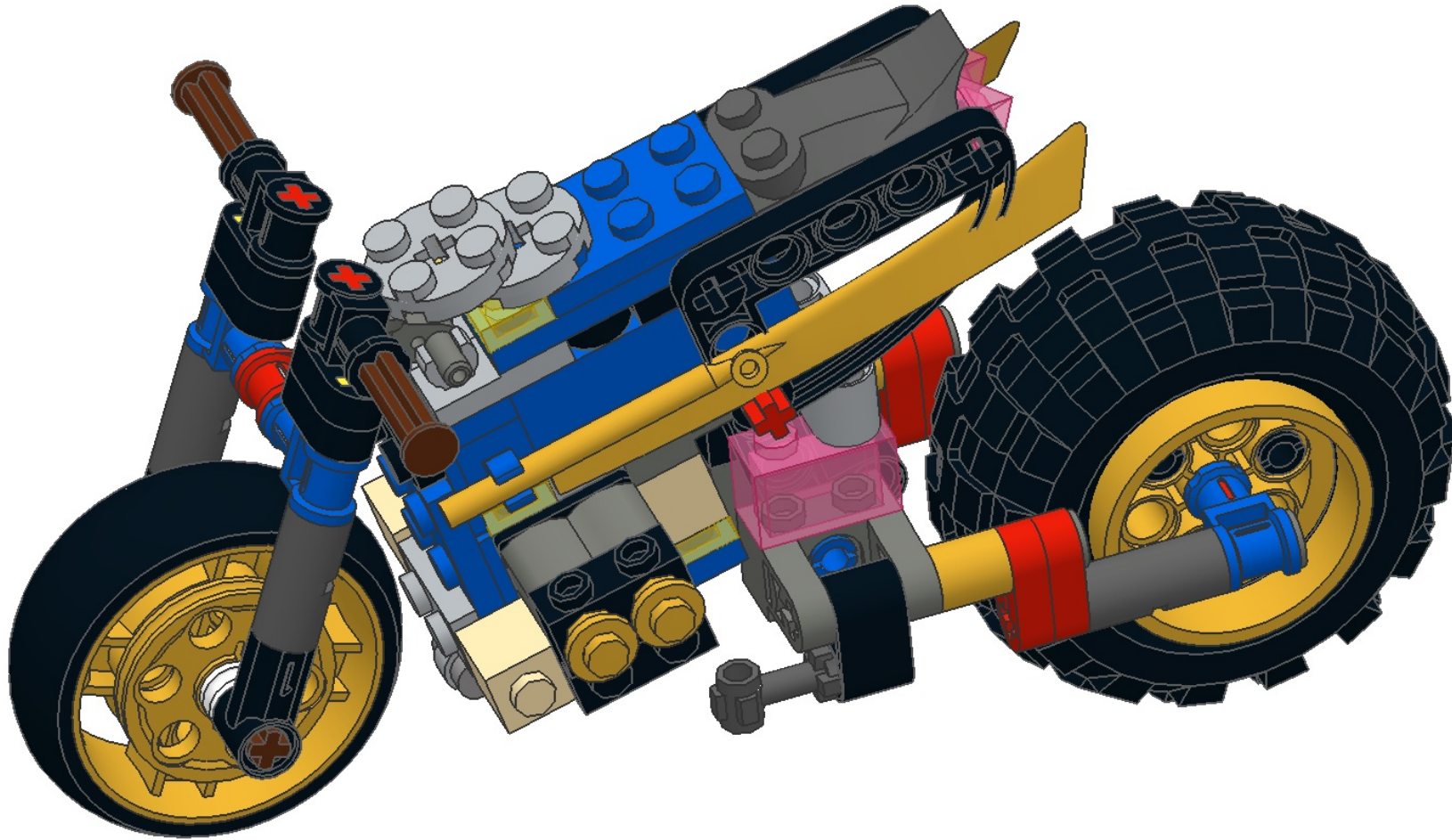
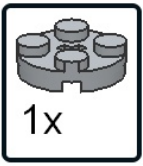




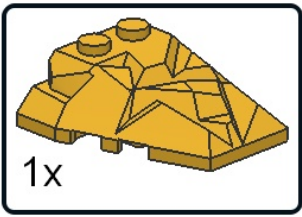
23



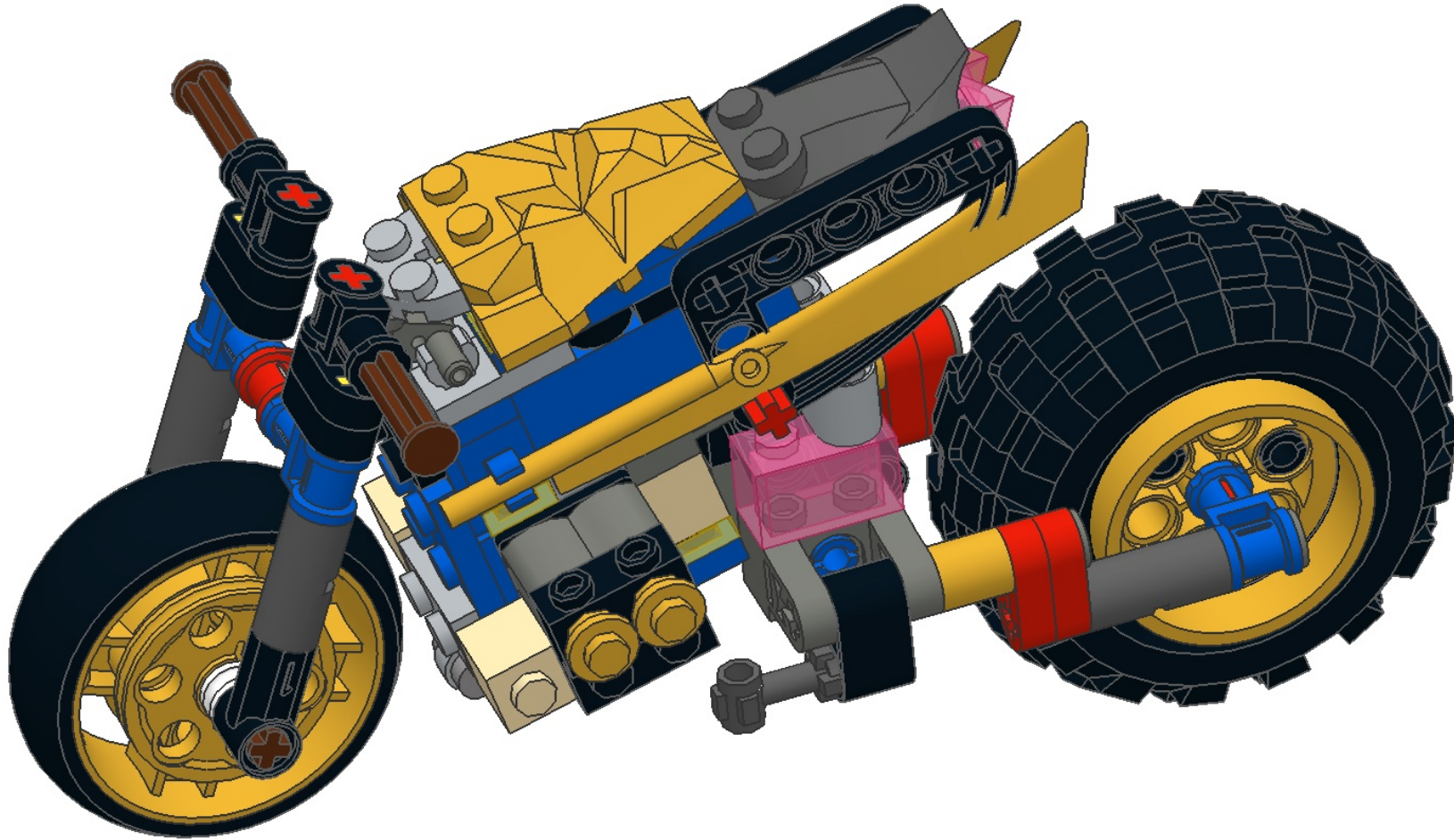
24



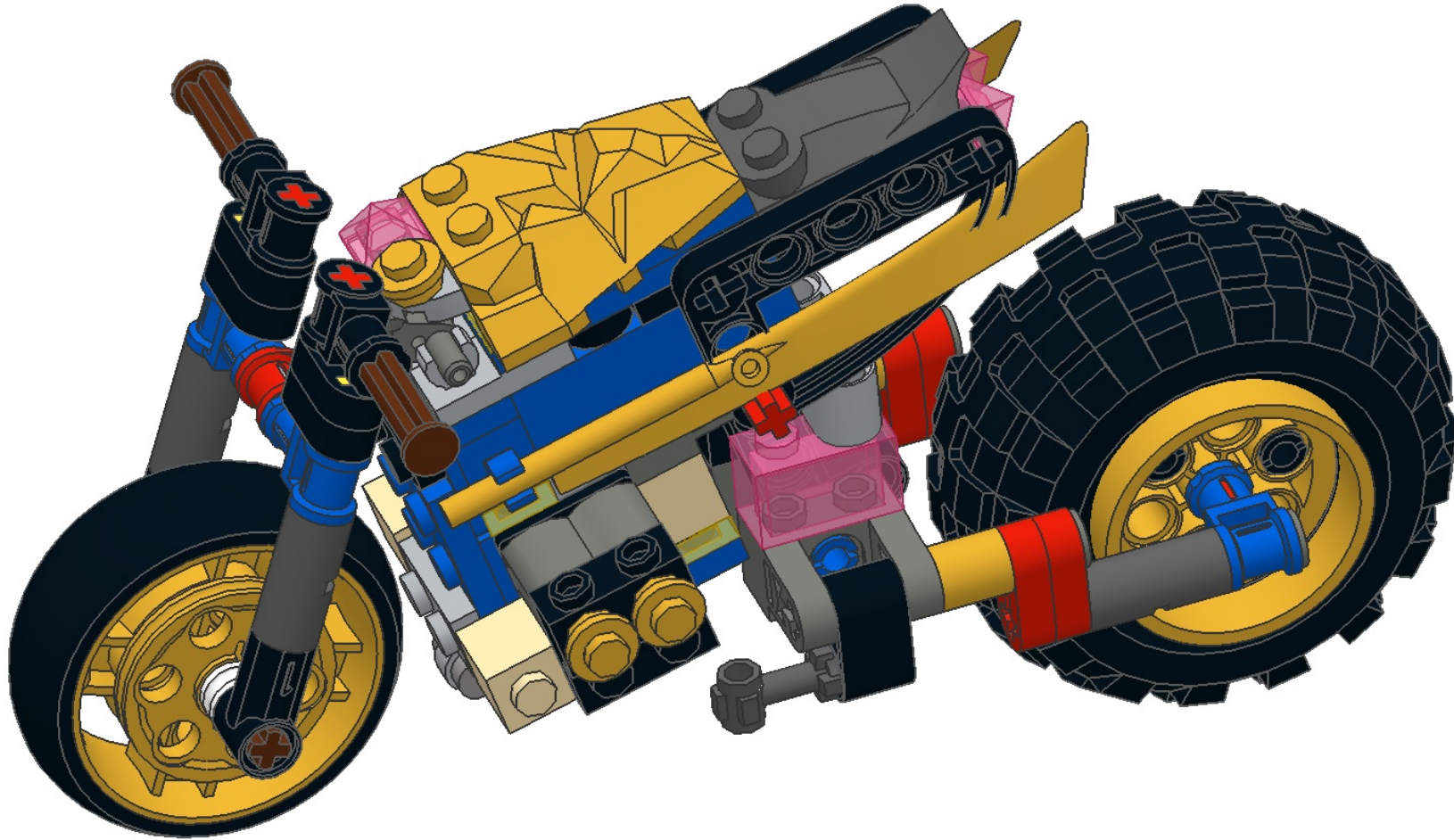
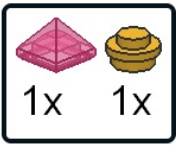
25



=



26



27

